

HN

HARDENED NETWORKS



ITS-80BP

HN

Where Innovation Meets Reliability

Pairs with New Flex-Technology

- Throughput not affected and no extra delay
- Relay output for power failed warning
- DIN-rail and wall mounting enabled
- Low insertion loss

• **Our exciting new Flex-Technology revolutionizes speed upgrades in hardened switches!**

Now you can purchase switches with any higher speed SFPs 10gig /2.5 gig and connect them to your existing slower speed 100 or 1000 optics without requiring like optics. Make your upgrade path fast, simple, and pain-free!

Ask your sales representative today!

ITS-80BP is an external bypass switch for 100M/1G/10G fiber optic networks. This fiber optic bypass switch protects from network failures and network maintenance by ensuring network integrity during power loss.

This fiber optic bypass switch includes network ports and monitor ports. The network ports are used to connect to the fiber patch panel and provide the link protection mechanism, while the monitor ports are used for the down-link networking device. When power is on, the bypass switch is in normal operation mode, and the local networking device is connected with main network.

When in power failure state, the bypass switch is set to bypass mode to isolate the main network from the local networking device.

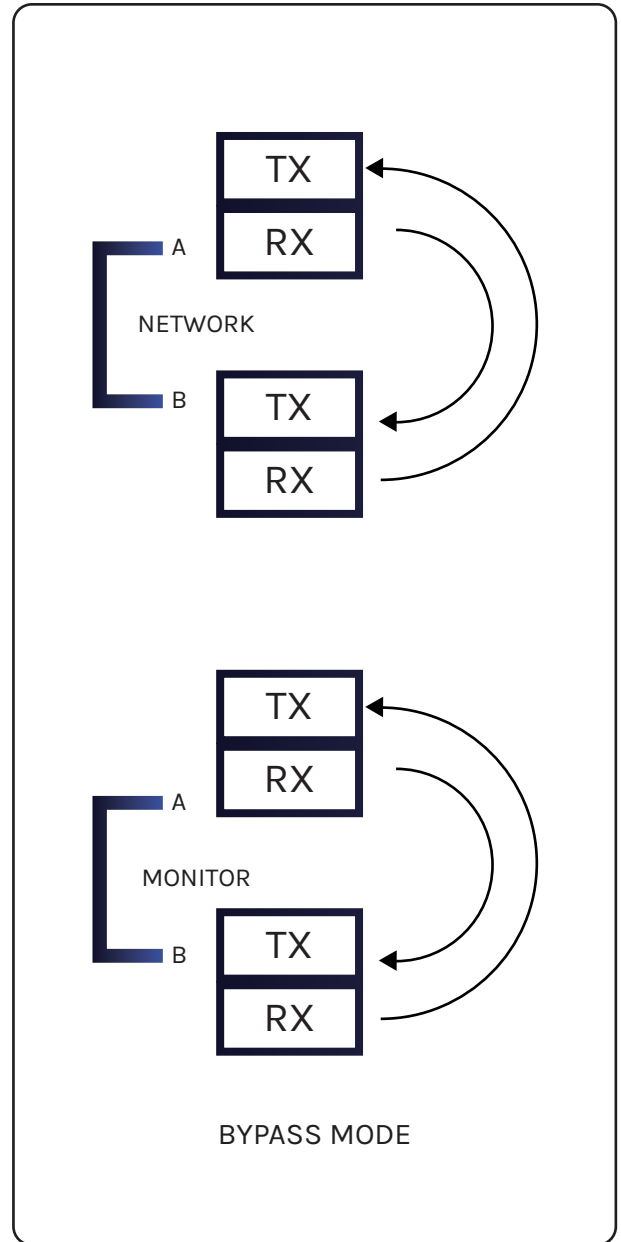
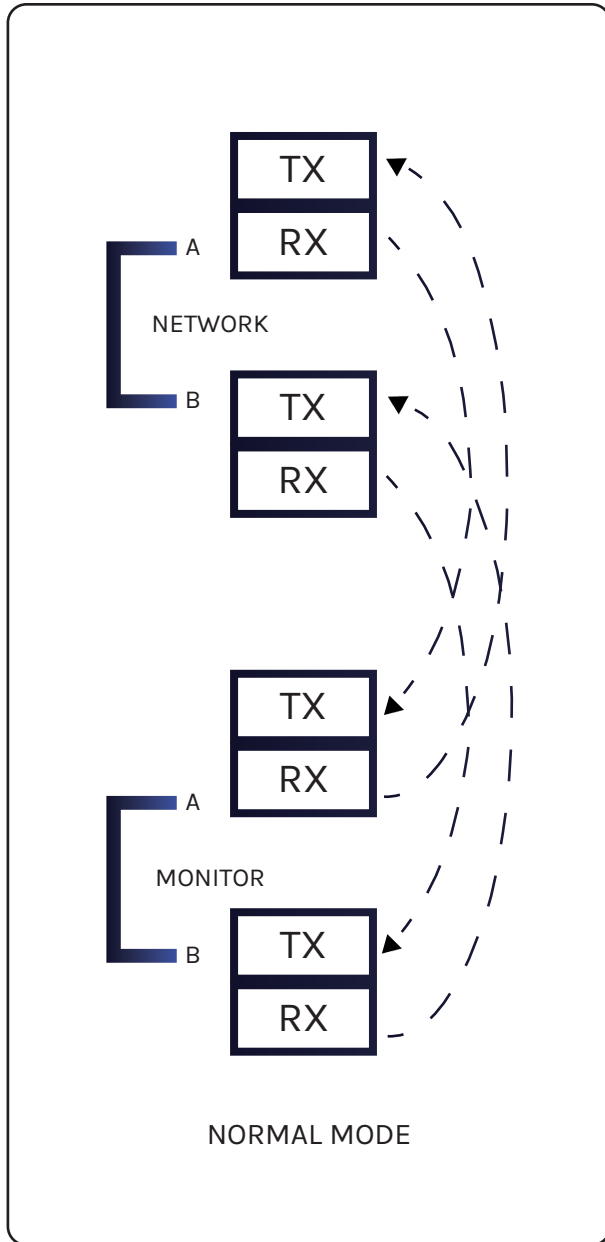


ITS Express/ Hardened Networks products have been specifically engineered to exceed the challenging demands of extreme environmental conditions and high bandwidth 5k multicast video streams.

Whether a media converter or a Full Layer 3 switch, the design incorporates best-in-class chipsets to provide an extremely robust, redundant architecture able to be reliable in any integration.

Switch Model	ITS-80BP
Physical Ports	
LC Connector	4 Duplex Single-mode LC connector
Technology	
Fiber Ethernet	-Optical Fiber: Single Mode 9/125nm -Operating Wavelength: 1260 ~ 1570nm -Switch Time: <10ms
DIP Switch Settings	-DIP Switch No. 1: Power-1 Failed warning detection - (On) relay enable (Off) relay disable -DIP Switch No. 2: Power-2 Failed warning detection - (On) relay enable (Off) relay disable
LED Indicators	-Power Indicator - Green : Power LED x2 -Normal Indicator - Green On : Operated in normal mode
Fault Contact	Relay output for power failure warning
Power	
Overload Current Protection	Present
Reverse Polarity Protection	Present on terminal block
Redundant Input Power	Dual 12 ~48 VDC power inputs at DC Jack and 4 pin terminal block
Power Consumption (Typ.)	2.7 watts
Physical Characteristics	
Weight (lb/g)	0.90lb/405g
Dimension (W x D x H)	443.7 (W) x 200 (D) x 44 (H) mm
Enclosure	Din rail mounted metal
Environmental	
Storage Temperature	-40 to 85C (-40 to 185F)
Operating Temperature	-40 to 85C (-40 to 185F) (No Fans)
Operating Humidity	0% to 98% Non-condensing
Regulatory Approvals	
EMI	-FCC Part 15, CE EN61000-4-2 (ESD) -CE EN61000-4-3 (RS) -CE EN-61000-4-4 (EFT) -CE EN61000-4- 5 (Surge) -CE EN61000-4-6 (CS) -CE EN61000-4-8 -CE EN6100-4-11
EMS	-EN61000-4-5 (Surge) -EN61000-4-6 (CS) -EN61000-4-8 -EN61000-4-11 -Shock Vibration: IEC60068-21-2, IEC60068-21-1 -Environmental Safety: IEC60068-2-1, IEC 60068-2-2, IEC60068-2-30, EN60950-1 NEMA TS-2
Warranty	5 Years

2D MODEL OF ITS - 80BP



Other Solutions

Hardened Networks has created variety of high quality products to fit your needs. If you did not find what you needed in the ITS-80BP, please browse our other solutions.

Ethernet Switches



ITS-3416

- 4 Ultra Fiber Ports SFP+ 100Mb/1Gb/2.5Gb/10Gb
- 16 Copper Ports 10Mb/100Mb/1000TX
- 156 GBPS Back-Plane
- Hardened Base Layer 3



ITS-8012-24 V3

- 4 Ultra Fiber Ports SFP+ 100Mb/1000Mb/2.5Gb/10Gb
- 4 Enhanced Fiber Ports SFP 100Mb/1000Mb/2.5Gb
- 16 Copper Ports 10Mb/100Mb/1000Mb
- 176 GBPS Back-Plane



ITS-3488

- 4 Ultra Fiber Ports SFP+ 100Mb/1Gb/2.5Gb/10Gb
- 8 Enhanced Fiber Ports SFP Ports 100Mb/1Gb/2.5Gb
- 8 Copper Ports 10Mb/100Mb/1000TX
- 156 GBPS Back-Plane
- Hardened Base Layer 3



ITS-8012-24+ V3

- 4 Ultra Fiber Ports SFP+ 100Mb/1000Mb/2.5Gb/10Gb
- 4 Enhanced Fiber Ports SFP 100Mb/1000Mb/2.5Gb
- 16 Copper Ports 10Mb/100Mb/1000Mb
- Two sets of bypass fiber ports
- 176 GBPS Back-Plane

Communications



ITS- MC-1000

- 10Mb/100Mb/1000Mbps Ethernet BASE-T/TX to SFP (MM or SM)
- Optical port supports 100Mb or 1000Mb full duplex data



ITS- MC-100

- 10Mb/100Mbps Ethernet BASE-T/TX to SFP (MM or SM)
- Flexible power 18-46VAC/12-60 VDC



ITS- VC-100

- High Speed VDSL-2 Technology
- 10Mb/100Mbps Ethernet BASE-T/TX to a pair of copper cables
- Flexible power 18-46VAC/12-60 VDC

We here at Hardened Networks are proud to carry products that are certified by:



Express Supply, Inc.

www.expresssupply.net

(407) 497-8614